



GENERAL DESCRIPTION:

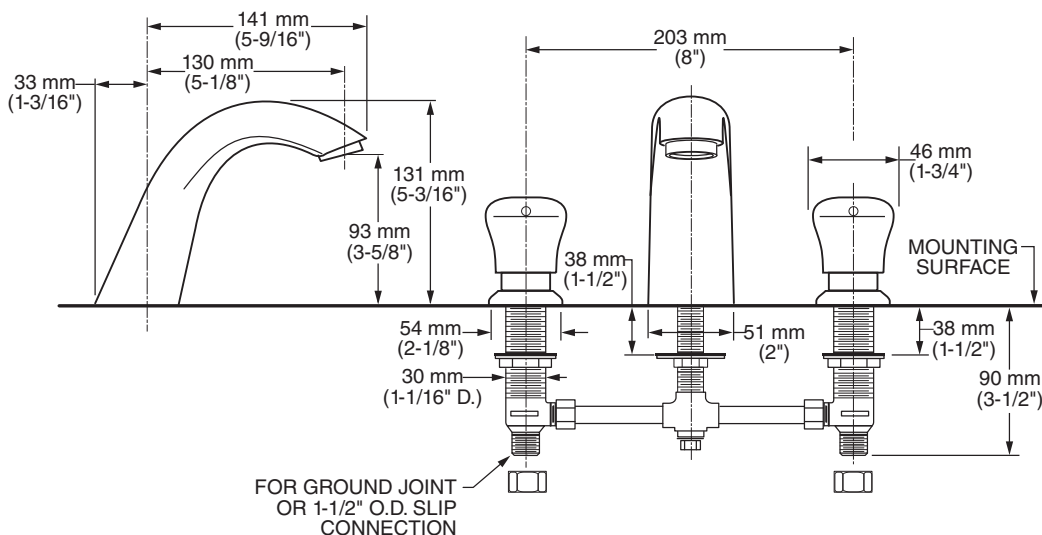
Metering widespread faucet. Vandal-resistant solid brass construction. Easy-push handles. Water conserving pressure compensating vandal-resistant aerator. Replaceable cartridge. Adjustable flow cycle.

MODEL NUMBER:

- ❑ **1340.825** Cast widespread, 1.0 GPM pressure compensating, vandal-resistant aerator. Factory set for a maximum of 0.17 gallons per cycle.
- ❑ **1340.827** Cast widespread, 0.5 GPM pressure compensating, vandal-resistant multi-laminar spray. Factory set for a maximum of 0.08 gallons per cycle.

PRODUCT FEATURES:

- **Clog-Resistant:** Self-cleaning mechanism cleans control orifice with each use. No filter required.
- **Pressure Compensating Aerator:** Provides a constant water flow of throughout the pressure range to ensure sufficient water flow at lower pressure and water savings at higher pressure.
- **Vandal-Resistant Brass Construction and Aerator:** Durable - Excellent in high use applications.
- **Automatic Shut-off:** Stops water and energy waste. Ideal for public restrooms to prevent uncontrolled water usage.
- **Running Time:** 10 seconds
- **Running Time Adjustability:** 1 - 17 seconds
- **Meets ADA Standard:** Requires less than 5 lbs. of operating force to initiate flow per ANSI A117.1.
- **Replaceable Valve Cartridge:** Facilitates simple replacement.
- **Hot/Cold Button Indicators**
- **Meets CALGreen**
- **Lead Free:** Faucet contains ≤ 0.25% total lead content by weighted average.
- **Minimum Operating Pressure:** 20 psi



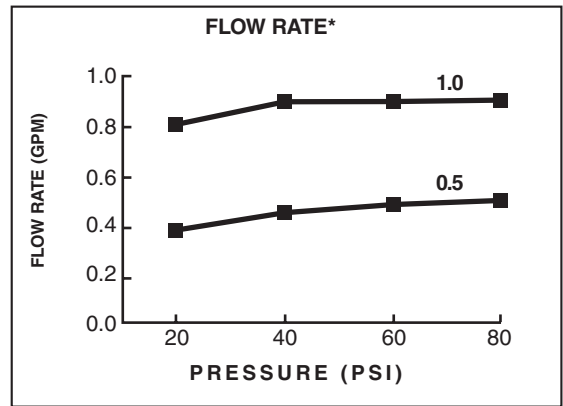
SUGGESTED SPECIFICATION


Metering faucet shall feature a vandal-resistant brass construction with a replaceable valve cartridge and an adjustable flow cycle. Shall also feature a water-conserving, pressure compensating vandal-resistant aerator. Push button activator shall meet ANSI A117.1 Standard. Fitting shall be American Standard Model # 1340.82_.002.

CODES AND STANDARDS

These products meet or exceed the following codes and standards:

- ANSI A117.1**
- ASME A112.18.1**
- CSA B125**
- NSF 372**



 Meets the American Disabilities Act Guidelines
ANSI A117.1 Requirements for the accessible
and usable building facilities - check local codes.